

- EN Root Elevators
- DE Wurzelheber
- ES Elevadores para raíces



EN Root Elevators
DE Wurzelheber
ES Elevadores para raíces



BEIN

Flat
Flach
Plano

2 mm



62.501.02
Fig. 0

3 mm



62.501.03
Fig. 1

4 mm



62.501.04
Fig. 2

2 mm



62.502.02
Fig. 0

round
rund
redondo

3 mm



62.502.03
Fig. 1

4 mm



62.502.04
Fig. 2

sharp
spitz
agudo

2 mm



62.503.02
Fig. 0

3 mm



62.503.03
Fig. 1

4 mm



62.503.04
Fig. 2

2 mm



62.504.02
Fig. 0

round curved
rund gebogen
redondo curva

3 mm



62.504.03
Fig. 1

4 mm



62.504.04
Fig. 2

2 mm



62.505.02
Fig. 0

3 mm



62.505.03
Fig. 1

4 mm



62.505.04
Fig. 2

sharp curved
spitz gebogen
agudo curva

EN Root Elevators
DE Wurzelheber
ES Elevadores para raíces



FLOHR
62.510.01
Fig. 46



APICAL (Apexo)
62.512.00
Fig. 301



62.512.01
Fig. 302



FLOHR
62.512.02
Fig. 303



62.512.03
Fig. 304



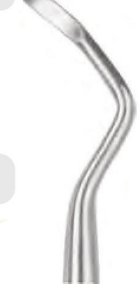
MILLER
62.520.03
Fig. 8



MILLER
62.520.04
Fig. 9



MILLER (Apexo)
62.520.01
Fig. 10



MILLER (Apexo)
62.520.02
Fig. 11



CRYER
62.525.05
Fig. 3 A



SELDIN
62.525.01
Fig. 34



SELDIN
62.525.02
Fig. 34 S



SELDIN
62.525.03
Fig. 2



SELDIN
62.525.04
Fig. 3

EN Root Elevators
DE Wurzelheber
ES Elevadores para raíces



62.530.01
Fig. 1 L



62.530.02
Fig. 1 R



SELDIN
62.530.03
Fig. 4 L



SELDIN
62.530.04
Fig. 4 R



CRYER
62.545.02
Fig. 12



CRANE
(COGSWELL)
62.550.02
Fig. 6



CRYER
62.565.01
Fig. 27



CRYER
62.565.02
Fig. 28



CRYER
62.565.03
Fig. 27 S



CRYER
62.565.04
Fig. 28 S



CRYER
62.565.05
Fig. 39



CRYER
62.565.06
Fig. 40



62.575.01
Fig. 50



62.575.02
Fig. 51

EN Root Elevators
DE Wurzelheber
ES Elevadores para raíces

Apical Fragment Ejectors
Wurzelspitzenheber
Elevadores para fragmentos

Root tip teaser
Wurzelspitzenheber
Elevadores para fragmentos



HEIDBRINK
62.560.01
Fig. 1



62.560.02
Fig. 2



62.560.03
Fig. 3



HEIDBRINK



62.562.01
Fig. 1

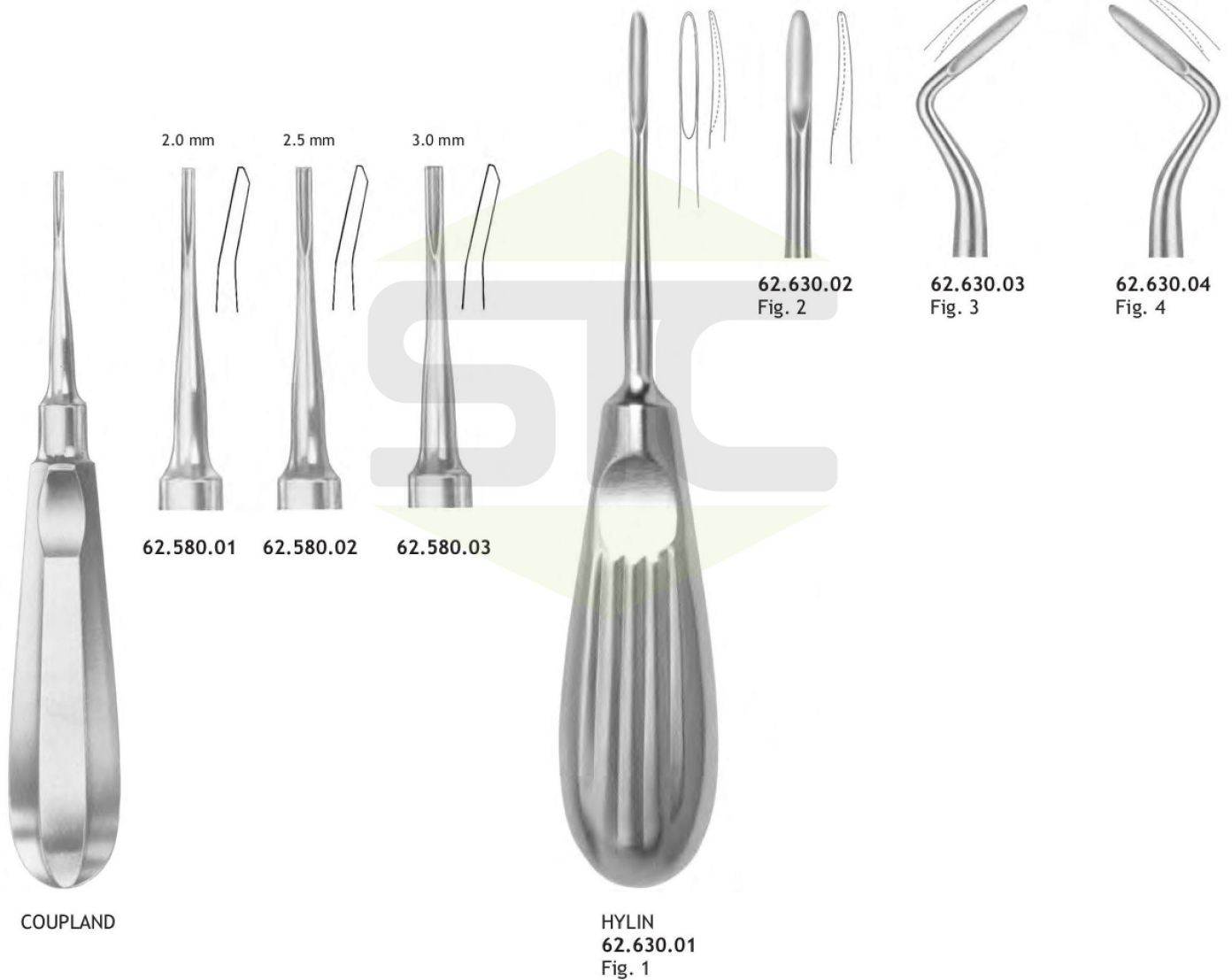


62.562.02
Fig. 2



62.562.03
Fig. 3

EN Root Elevators
DE Wurzelheber
ES Elevadores para raíces



EN Root Elevators
DE Wurzelheber
ES Elevadores para raíces



KOPP



62.632.01
Fig. 1



62.632.02
Fig. 2



62.632.03
Fig. 3



62.632.04
Fig. 4



KOPP



62.633.01
Fig. 1



62.633.02
Fig. 2



62.633.03
Fig. 3



62.633.04
Fig. 4



RATZOW



62.634.01
Fig. 1



62.634.02
Fig. 2



62.634.03
Fig. 3

Apical Fragment Enucleators
Wurzelspitzenausschäler
Descortidores de fragmentos

EN Root Elevators
DE Wurzelheber
ES Elevadores para raíces



VIGNAL



62.636.54
Fig. 54



62.636.55
Fig. 55



62.636.56
Fig. 56



62.636.57
Fig. 57



62.636.69
Fig. 69



COLEMAN
62.640.01
Fig. 1



62.640.02
Fig. 2 L



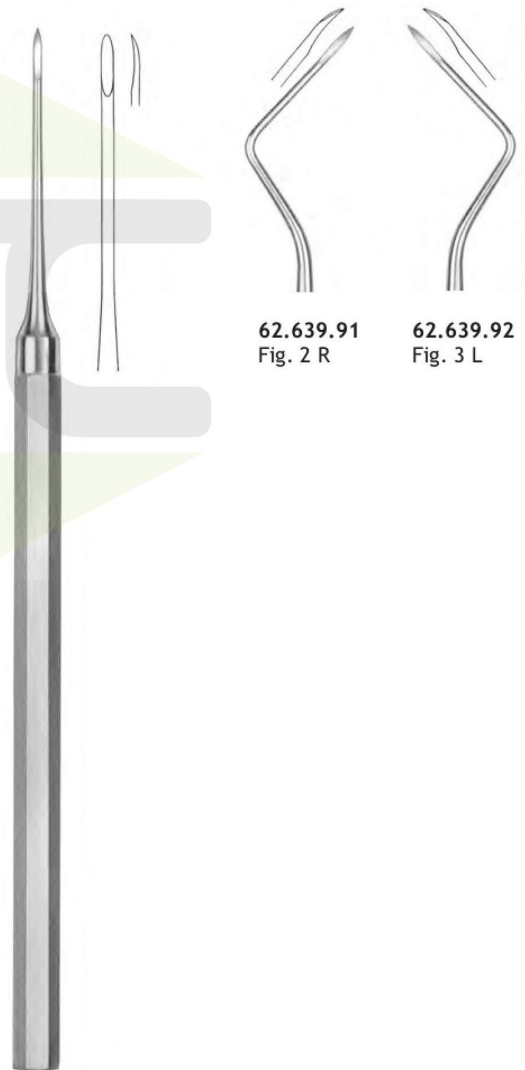
62.640.03
Fig. 3 R

EN Root Elevators
DE Wurzelheber
ES Elevadores para raíces



BARRY
21,5 cm/8¼"

Apical Fragment Ejectors
Wurzelspitzenheber
Elevadores para fragmentos



WEST (Apical)
62.583.09
Fig. 1

EN Syndesmotomes
DE Syndesmotome
ES Sindesmotomi



BERNARD



62.644.10
Fig. 0



62.644.01
Fig. 1



62.644.02
Fig. 2



62.644.06
Fig. 6



62.644.07
Fig. 7



62.644.11
Fig. 11

EN Syndesmotomes
DE Syndesmotome
ES Sindesmotomi



BERNARD
62.654.90
Flat handle
Falchgriff
Mango plano



62.654.01
Fig. 1



62.654.02
Fig. 2



62.654.03
Fig. 3



62.654.04
Fig. 4



62.654.05
Fig. 5



62.654.10
Fig. 10



62.654.06
Fig. 6



62.654.07
Fig. 7



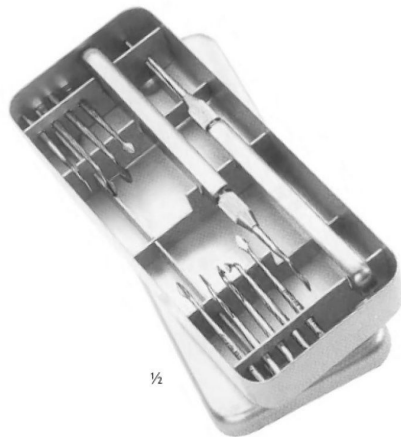
62.654.08
Fig. 8



62.654.09
Fig. 9



62.654.11
Fig. 11



BERNARD
62.654.00
Set complete
Satz komplett
Juego completo

1/2

EN Root Elevators
DE Wurzelheber
ES Elevadores para raíces



WALTER F BARRY



62.660.20
Fig. 320 L



62.660.21
Fig. 321 R



62.660.22
Fig. 322



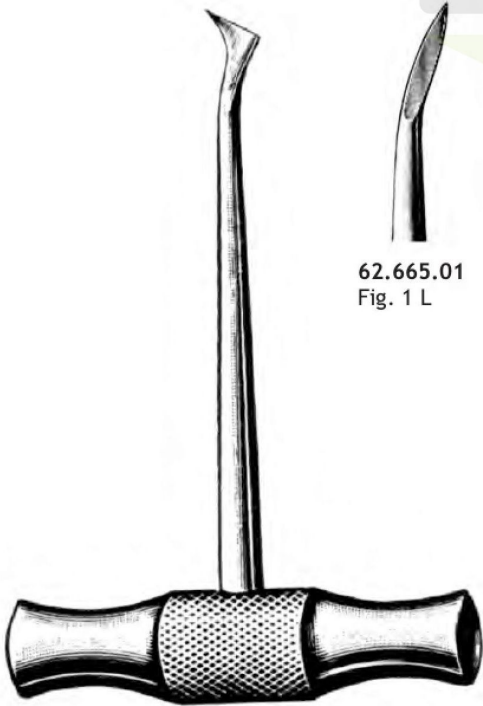
62.660.23
Fig. 323



62.660.70
Fig. 370



62.660.71
Fig. 371



WALTER



62.665.01
Fig. 1 L



62.665.02
Fig. 1 R



62.666.01
Fig. 11 L



62.666.02
Fig. 11 R



62.667.01
Fig. 12 L



62.667.02
Fig. 12 R



62.668.01
Fig. 13 L



62.668.02
Fig. 13 R

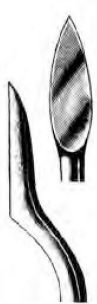


62.669.01
Fig. 14 L



62.669.02
Fig. 14 R

EN Root Elevators
DE Wurzelheber
ES Elevadores para raíces



62.670.01
Fig. 1



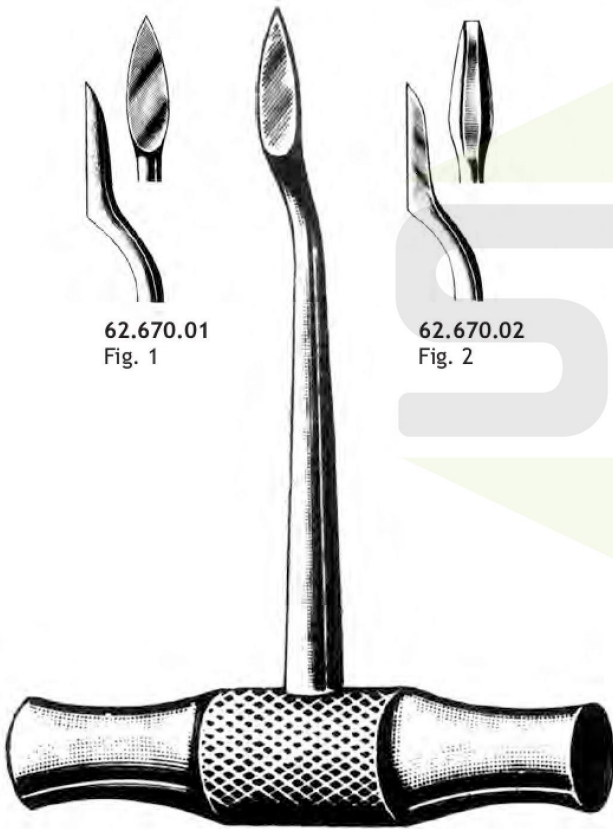
62.670.02
Fig. 2



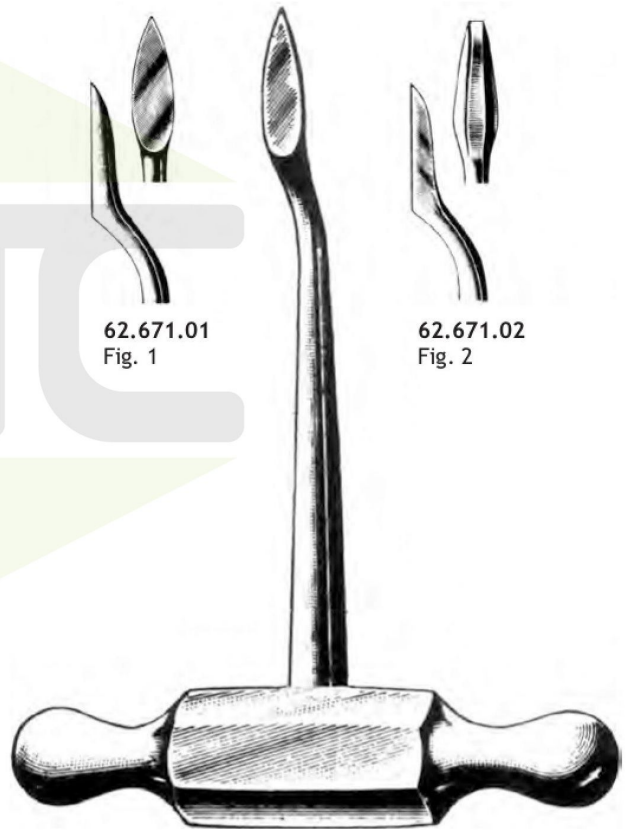
62.671.01
Fig. 1



62.671.02
Fig. 2

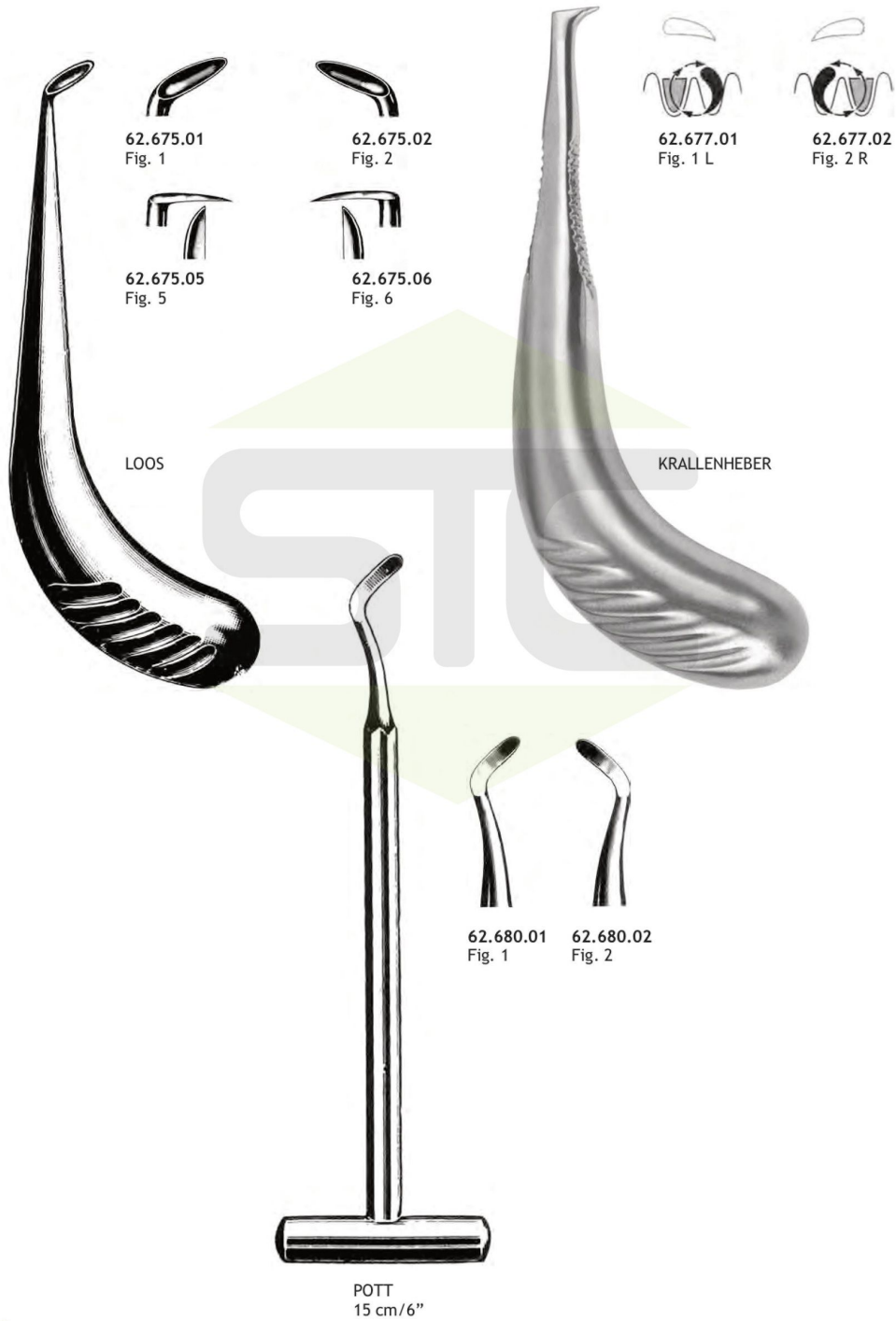


LECLUSE



LECLUSE

EN Root Elevators
DE Wurzelheber
ES Elevadores para raíces



EN Root Elevators
DE Wurzelheber
ES Elevadores para raíces



WARWICK-JAMES
62.685.01
Fig. 1



62.685.02
Fig. 2



62.685.03
Fig. 3



62.686.01
Fig. 1



CHOMPRET
62.686.02
Fig. 2



62.686.03
Fig. 3

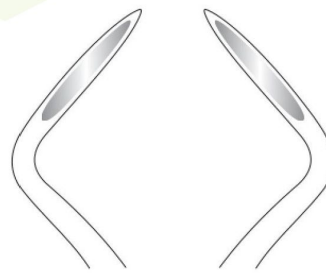


FRIEDMAN
62.695.01
Fig. 1



62.695.02
Fig. 2

62.695.03
Fig. 3



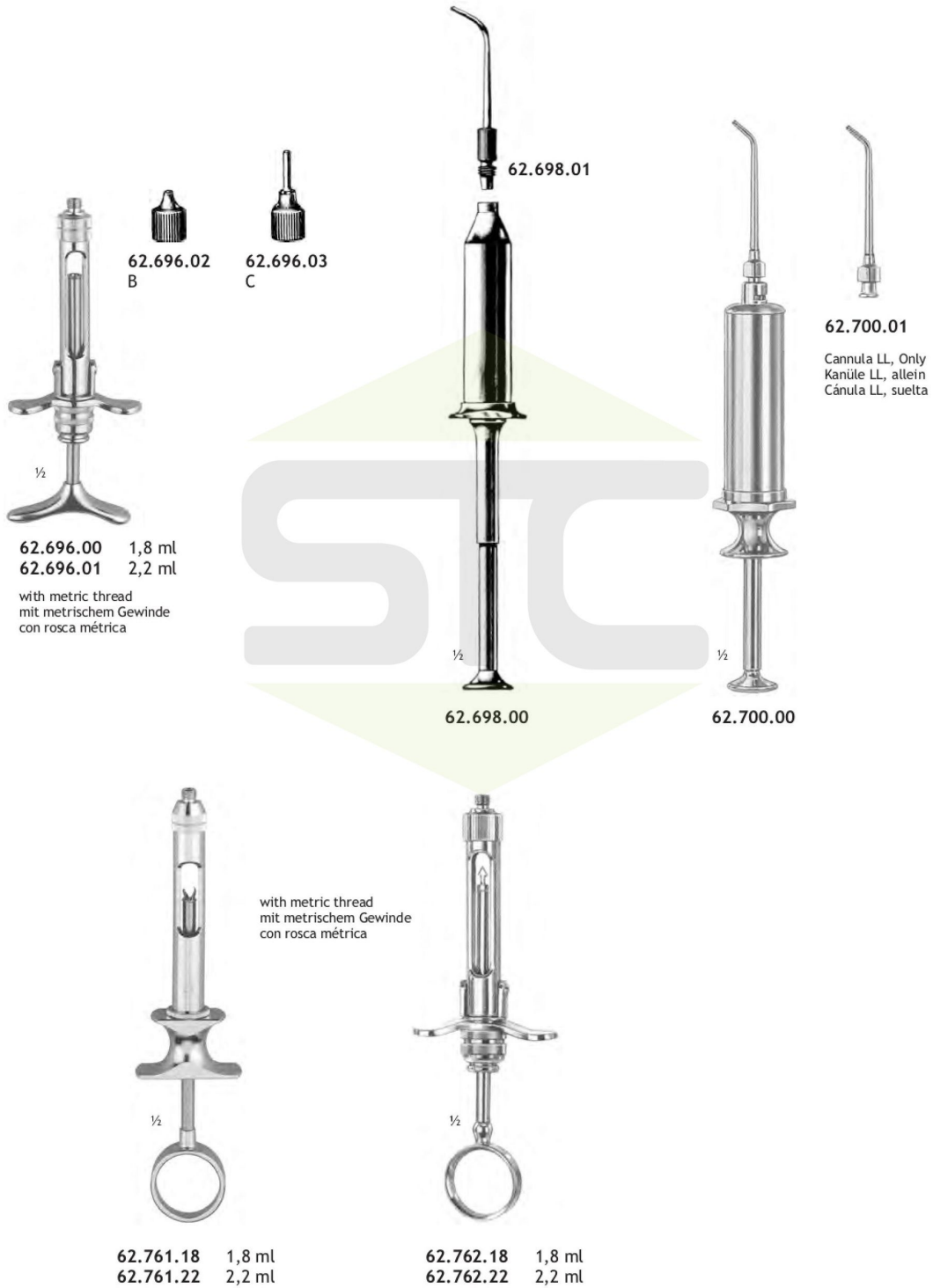
FLOHR
62.690.02
Fig. 2

62.690.03
Fig. 3



62.690.01
Fig. 1

EN Cylinder cartridge syringe
DE Zylinder-Ampullenspritze
ES Jeringa para cartucho ampolla



- EN** Mouth Mirrors, Mouth mirror handles
DE Mundspiegel, Mundspiegelgriffe
ES Espejos de boca, Mangos para espejos de boca

with metric thread
 mit metrischem Gewinde
 con rosca métrica

Back surface, plane
 Oberfläche Rückseite, plan
 Superficie del reerso, plano



- 62.702.16 1 = 16 mm
 62.702.20 3 = 20 mm
 62.702.22 4 = 22 mm
 62.702.24 5 = 24 mm

Cone Socket
 with conical end of thread, plane
 mit konischem Gewindeauslauf, plan
 con terminal cónica de rosca, plano



- 62.704.20 3 = 20 mm
 62.704.22 4 = 22 mm
 62.704.24 5 = 24 mm

Check retractor with handle
 Wangenabhalter mit Griff
 separador de la mejilla con mango



- 62.715.01
 4,5 cm / 1 1/4"

62.715.02

Griffe
 Handle
 Mango

HILGER
 62.715.00
 18 cm / 7"

EN Mouth mirror handles
DE Mundspiegelgriffe
ES Mangos para espejos de boca

Cone Socket
Konishem-Stiel

Cone Socket
Konishem-Stiel



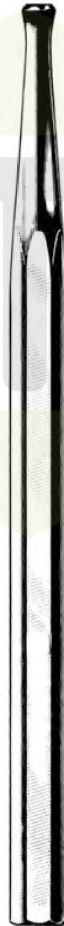
62.721.01
14 cm/5½"



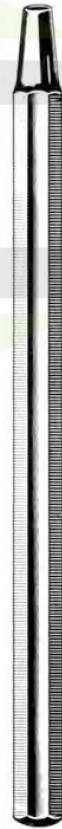
62.721.04
13,5 cm/5¼"



62.722.01
14 cm/5½"



62.723.01
12.5 cm/5"



62.726.01
12 cm/4¾"



62.728.01
12 cm/4¾"



62.730.01

Ergo, Modell
Ergo, Model
Ergo, Módulo