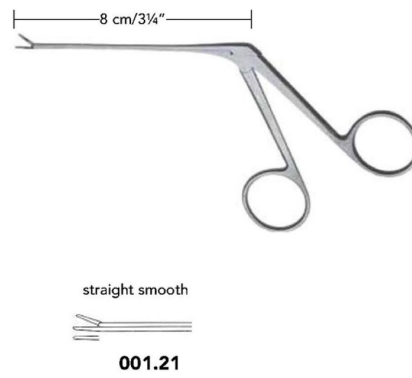
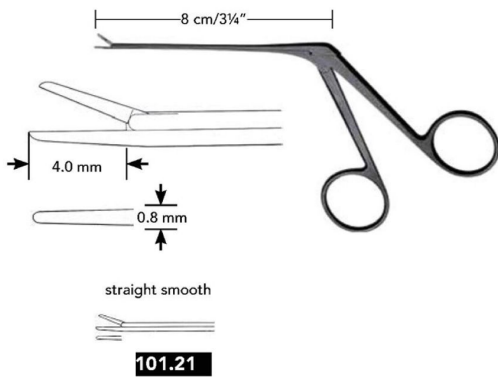
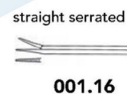
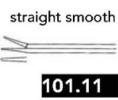
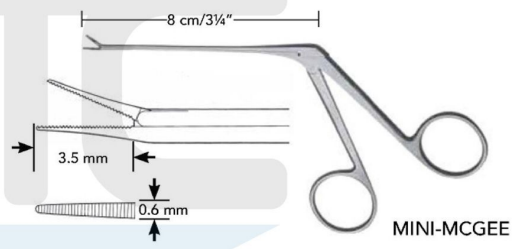
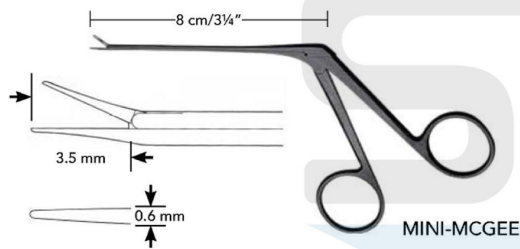
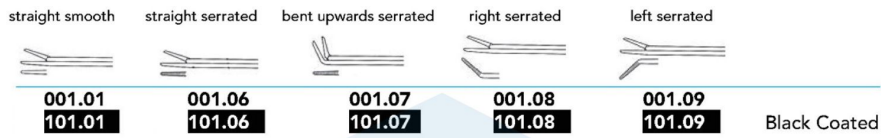
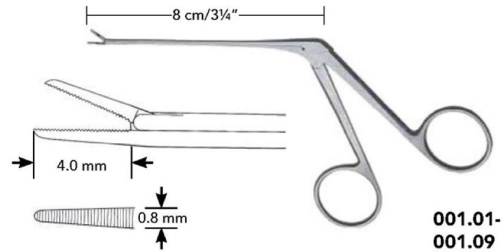
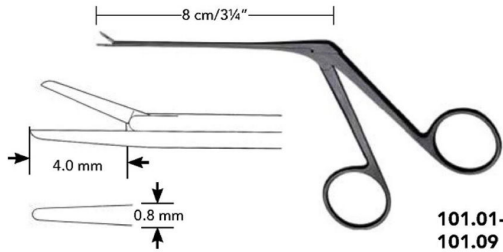
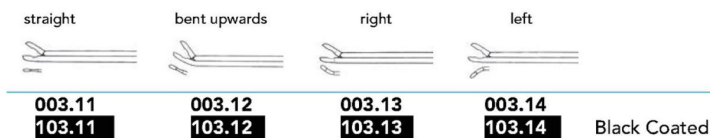
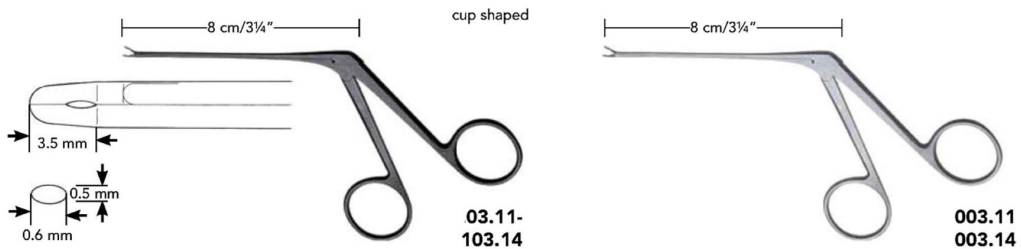
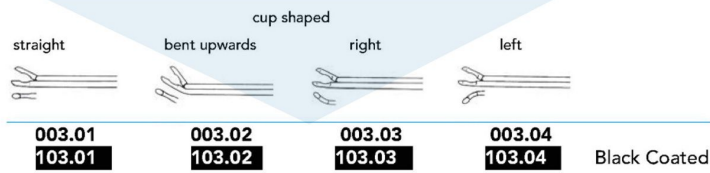
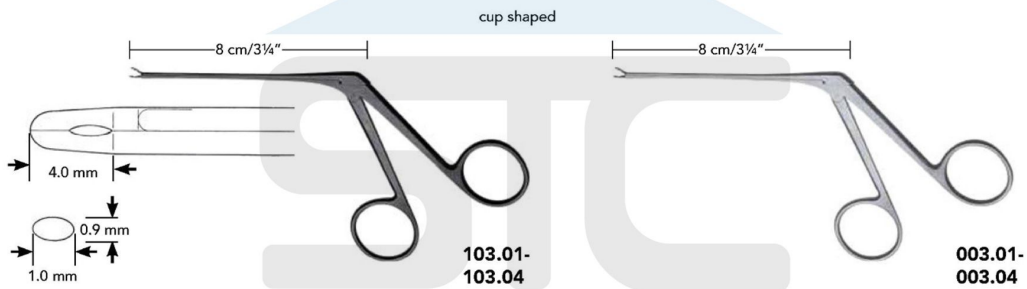
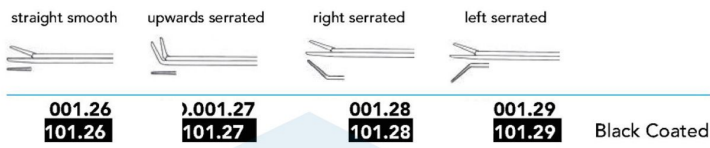
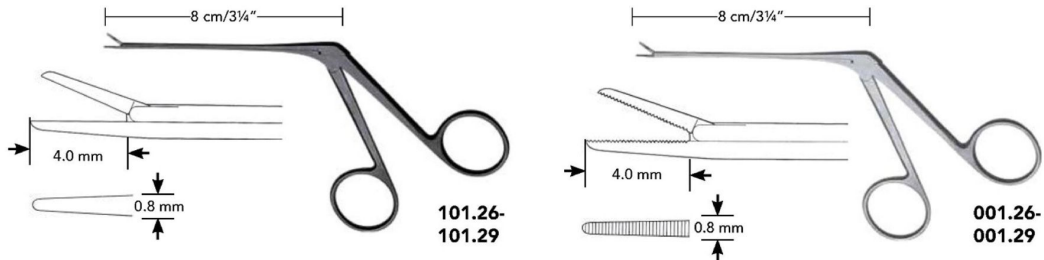


**Otology (Micro Ear Forceps)**

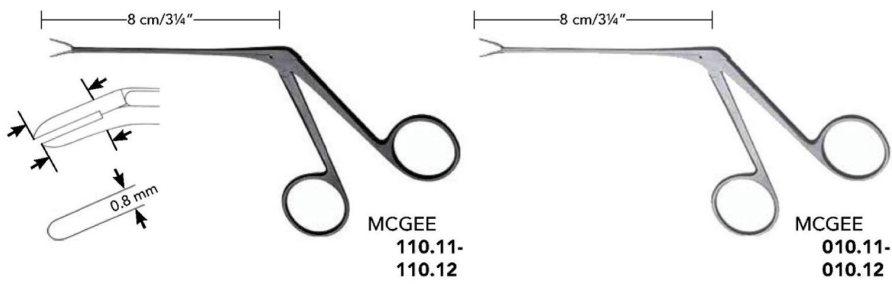


**Otology (Micro Ear Forceps)**



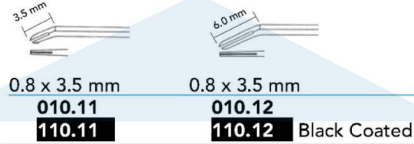
**Otology (Micro Ear Forceps)**

Wire bending forceps

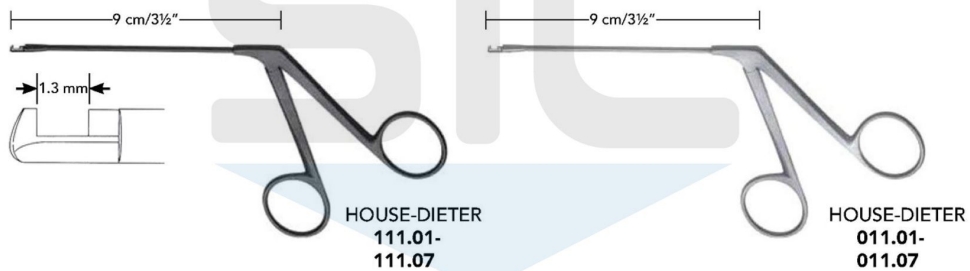


angled downward

angled downward



Malleus Nipper



up cutting

down cutting

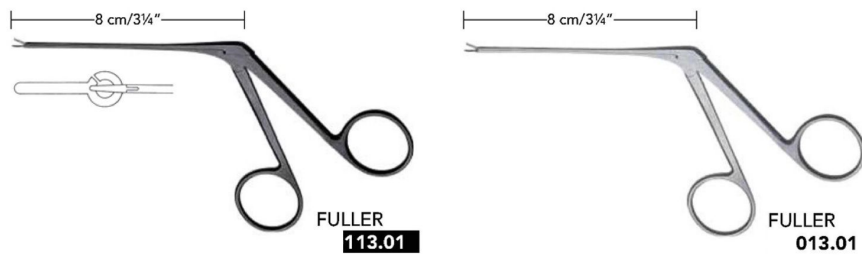
right cutting

left cutting

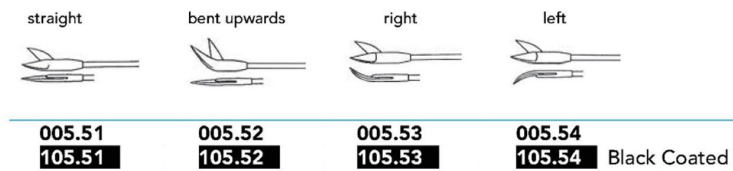
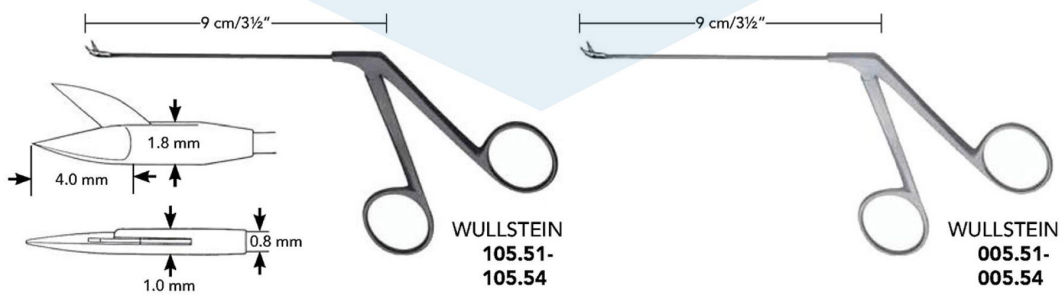
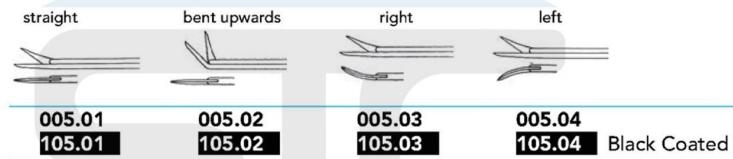
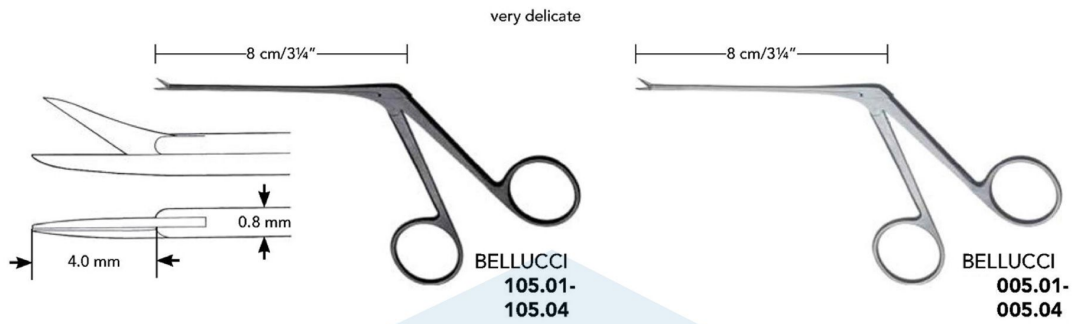


011.01 011.02 011.06 011.07  
111.01 111.02 111.06 111.07 Black Coated

Introducing Forceps, for teflon prosthesis



Otology (Micro Ear Forceps)






























**Otology (Micro Ear Forceps, Needles & Currettes)**






Otology (Micro Specula)


	 <b>112.10</b> Ø 3 mm Fig. 0	 <b>112.13</b> Ø 6 mm Fig. 3	 <b>118.11</b> Ø 4 mm Fig. 1	 <b>118.13</b> Ø 6 mm Fig. 3
	 <b>112.11</b> Ø 4 mm Fig. 1	 <b>112.14</b> Ø 7.5 mm Fig. 4	 <b>118.12</b> Ø 5 mm Fig. 2	 <b>118.14</b> Ø 7.5 mm Fig. 4
 <b>HARTMANN</b> 3.6 cm/1½"			 <b>TOYNBEE</b> 3.6 cm/1½"	
Set for Children Fig. 0 - 2 <b>112.03</b> Set for Adults Fig. 2 - 4 <b>114.03</b> Fig. 1 - 4 <b>115.04</b>			Set for Adults Fig. 2 - 4 <b>118.03</b> Fig. 1 - 4 <b>119.04</b>	

	 <b>132.01</b> 5.5 x 6.5 mm Fig. 1	 <b>132.04</b> 8.5 x 9.5 mm Fig. 4	 <b>134.01</b> Ø 5.5 mm Fig. 1	 <b>134.05</b> Ø 9.5 mm Fig. 5
oval, black  <b>ZOELLNER</b> 3.8 cm/1½"	 <b>132.02</b> 6.5 x 7.5 mm Fig. 2	 <b>132.05</b> 9.5 x 10.5 mm Fig. 5	round black  <b>FARRIOR</b> 3.5 cm/1½"	 <b>132.02</b> Ø 6.5 mm Fig. 2
Ear specula set <b>132.00</b> Fig. 1 - 6	 <b>132.03</b> 7.5 x 8.5 mm Fig. 3	 <b>132.06</b> 10.5 x 11.5 mm Fig. 6	 <b>134.03</b> Ø 7.5 mm Fig. 3	 <b>134.06</b> Ø 10.5 mm Fig. 6
			 <b>134.04</b> Ø 8.5 mm Fig. 4	 <b>134.07</b> Ø 11.5 mm Fig. 7



Otology (Micro Specul)

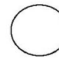
  
**120.82**  
Ø 8.2 mm

  
**121.90**  
9.0 mm

  
**122.90**  
9.0 mm

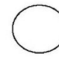
  
**120.77**  
Ø 7.7 mm

  
**121.85**  
8.5 mm

  
**122.85**  
8.5 mm

  
**120.72**  
Ø 7.2 mm

  
**121.80**  
8.0 mm

  
**122.80**  
8.0 mm

  
**120.67**  
Ø 6.7 mm

  
**121.75**  
7.5 mm

  
**122.75**  
7.5 mm

  
**120.63**  
Ø 6.3 mm

  
**121.70**  
7.0 mm


  
**122.70**  
7.0 mm

  
**120.58**  
Ø 5.8 mm


  
**121.65**  
6.5 mm

  
**122.65**  
6.5 mm


  
**120.53**  
Ø 5.3 mm

  
**121.60**  
6.0 mm

  
**122.60**  
6.0 mm


  
**120.48**  
Ø 4.8 mm

  
**121.55**  
5.5 mm

  
**122.55**  
5.5 mm

  
**120.43**  
Ø 4.3 mm

  
**121.50**  
5.0 mm

  
**122.50**  
5.0 mm



FARRIOR

  
**120.38**  
Ø 3.8 mm

  
**120.33**  
Ø 3.3 mm



FARRIOR


  
**121.45**  
4.5 mm

  
**121.40**  
4.0 mm



FARRIOR

  
**122.45**  
4.5 mm

  
**122.40**  
4.0 mm



Otology (Tuning Forks)

ALUMINIUM

with dampers



MARTIN  
**180.10**  
C 128



MARTIN  
**182.11**  
C 256



MARTIN-ALLOY  
**184.12**  
C 512



MARTIN-ALLOY  
**186.13**  
C 1024



MARTIN-ALLOY  
**188.14**  
C 2048



HARTMANN  
**189.10**  
C 128



HARTMANN  
**192.11**  
C¹ 256



HARTMANN  
**194.12**  
C² 512



HARTMANN  
**196.13**  
C³ 1024



HARTMANN  
**198.14**  
C⁴ 2048



HARTMANN  
**200.15**  
C⁵ 4096

Otology (Tuning Forks)



LUCAE  
**210.10**  
C 128



LUCAE  
**212.11**  
C<sup>1</sup> 256



LUCAE  
**214.12**  
C<sup>2</sup> 512



LUCAE  
**216.13**  
C<sup>3</sup> 1024



LUCAE  
**218.14**  
C<sup>4</sup> 2048



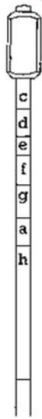
LUCAE  
**220.15**  
C<sup>5</sup> 4096



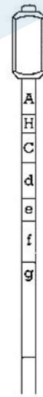
LUCAE  
**221.10**  
C 128



HARTMANN  
**222.10**  
C 128



KOENIG  
**230.59**  
C 109



HARTMANN  
**223.11**  
C<sup>1</sup> 128



**234.61**  
a<sup>1</sup> 440

Otology (Tuning Forks)



FRENCH  
**170.07**  
C<sup>2</sup> 16



FRENCH  
**172.08**  
C<sup>1</sup> 32



HARTMANN  
**172.09**  
C<sup>1</sup> 32



HARTMANN  
**174.10**  
C 128



HARTMANN  
**177.11**  
C<sup>1</sup> 256



NEURO  
**226.00**  
C 64/C 128

hammer, panwheel  
brush & wheel



**224.90**

Damper white  
scale for  
EO.224.10

**224.91**

Damper Black  
scale for  
EO.224.10

**224.92**

Knurled Screw  
for EO224.10

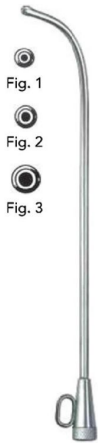
**224.93**

Weights, C 64  
for EO224.10



RYDEL-SEIFFERT  
**224.10**  
C 64/C 128

**Otology (Ear Catheters, Polypus Snaers)**



**HARTMANN**  
15 cm/6"  
Ø 3.0 mm **321.01**  
Ø 3.5 mm **321.02**  
Ø 4.0 mm **321.03**



**KRAUSE**  
**351.16**  
18.5 cm/7¼"



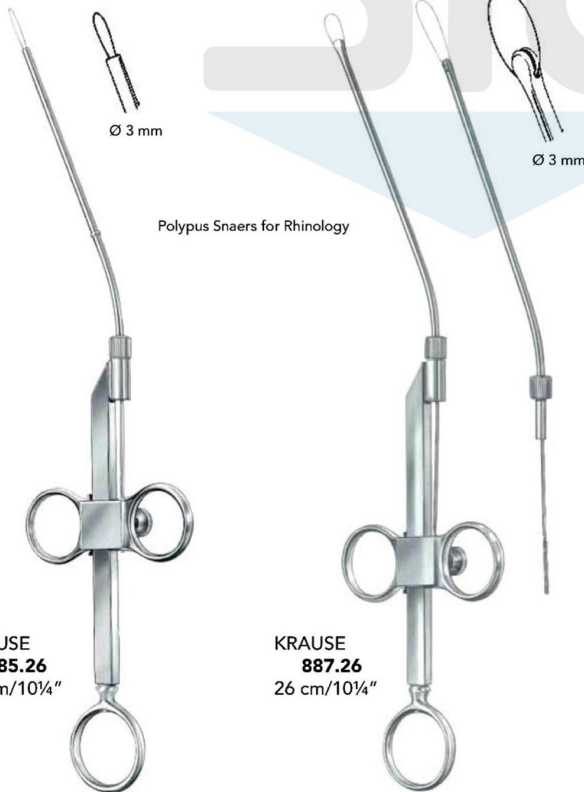
**KRAUSE-VOSS**  
**353.16**  
18.5 cm/7¼"



Ø 0.3 mm **358.30**  
Ø 0.4 mm **358.40**



**KRAUSE**  
**885.26**  
26 cm/10¼"



**KRAUSE**  
**887.26**  
26 cm/10¼"

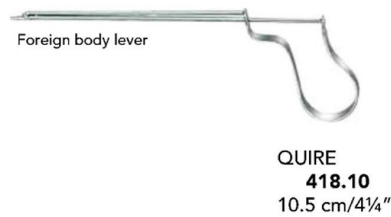
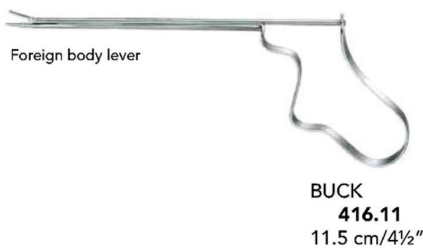
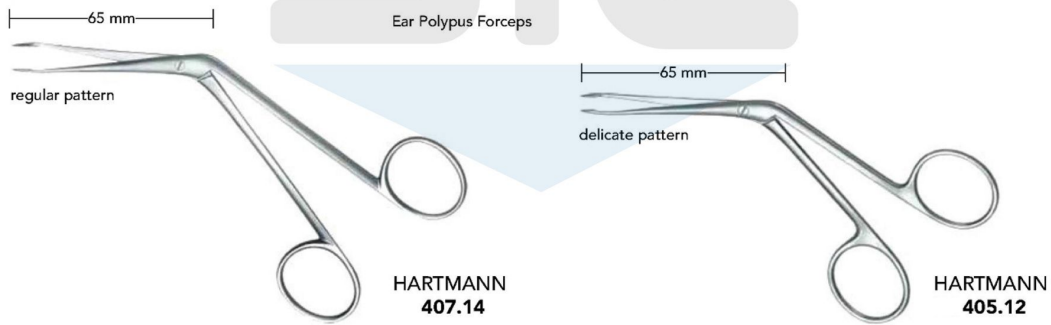


Ø 0.3 mm **898.30**  
Ø 0.4 mm **898.40**



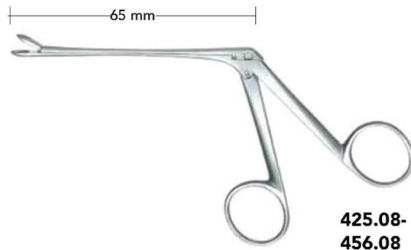
**899.12**  
Ø 0.3 mm  
bundle with 12  
pieces

**Otology (Ear Polypus Forceps)**





**Otology** (Ear Polypus Forceps & Mastoid Rongeurs)



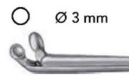
**425.08-456.08**



**HARTMANN-WULLSTEIN**  
**425.08**  
8.5 cm/3¼"



**HARTMANN-WULLSTEIN**  
**427.08**  
8.5 cm/3¼"



**HARTMANN-WULLSTEIN**  
**445.08**  
8.5 cm/3¼"



**HARTMANN**  
**430.08**  
8.5 cm/3¼"



**HARTMANN**  
**430.14**  
14 cm/5½"



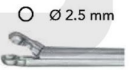
**HARTMANN**  
**430.31**  
8.5 cm/3¼"



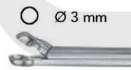
**HARTMANN-HOFFMANN**  
**456.08**  
8.5 cm/3¼"



**HARTMANN-HERZFELD**  
**442.81**  
8.5 cm/3¼"



**HARTMANN-HERZFELD**  
**442.82**  
8.5 cm/3¼"



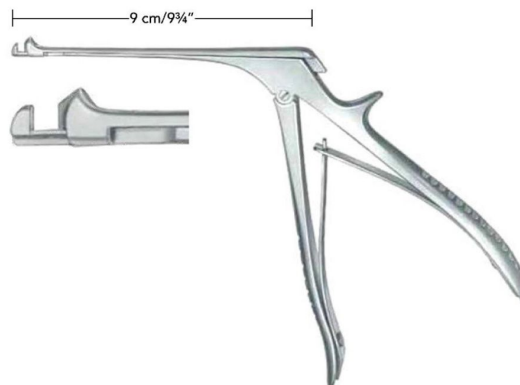
**HARTMANN-HERZFELD**  
**442.83**  
8.5 cm/3¼"



**STRÜMPFEL**  
**448.08**  
8.5 cm/3¼"

























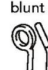






**CITELLI**  
**461.17**



Jaw	BEYER
1 mm	<b>463.19</b>
2 mm	<b>466.14</b>

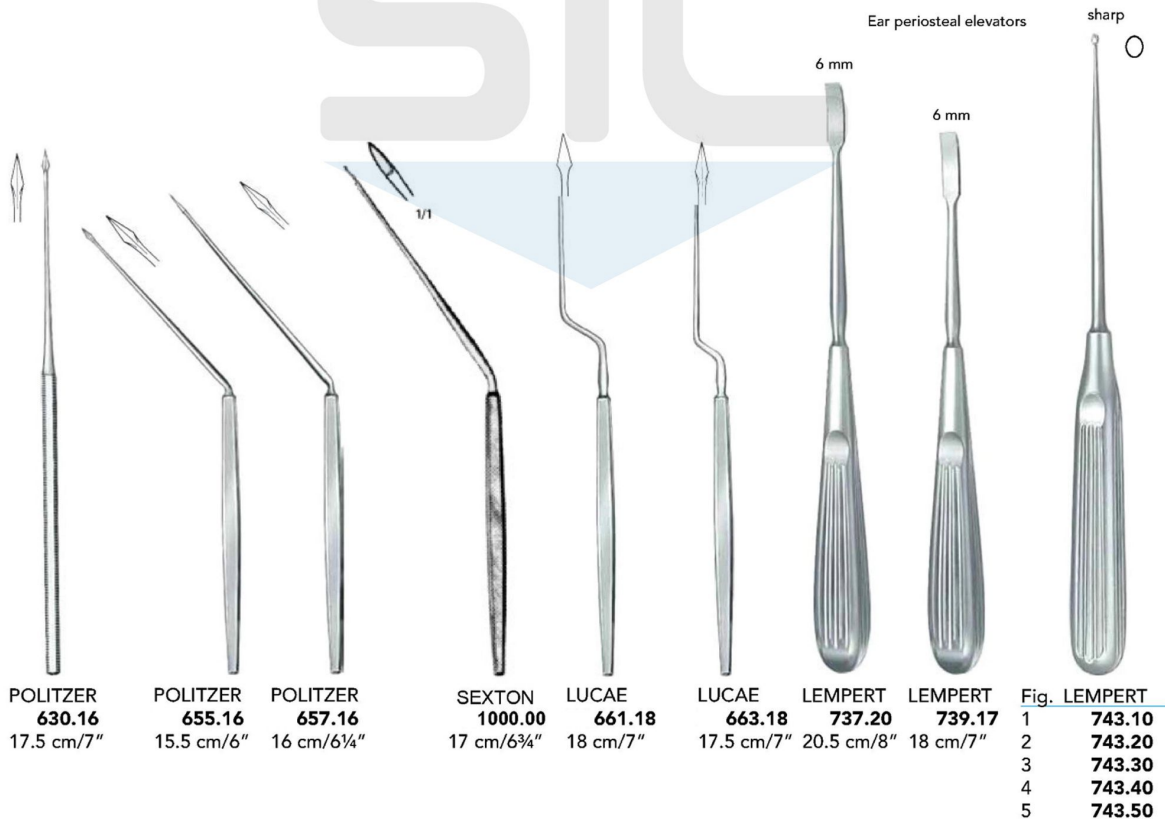
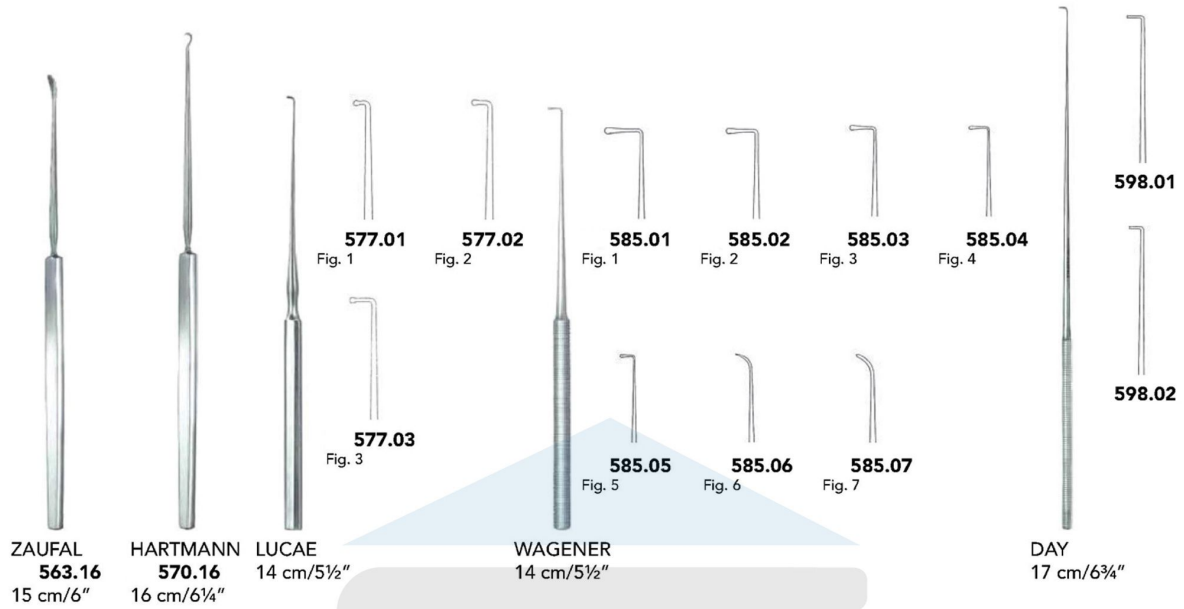


**Otology (Ear, Hooklet, Tympanum Needles)**

 <p>straight angled</p> <p><b>BUCK</b> 15 cm/6"</p>	sharp							
	straight	<b>494.01</b>	<b>494.02</b>	<b>494.03</b>	<b>494.04</b>	<b>494.05</b>	<b>494.06</b>	<b>494.07</b>
		1.8 mm Fig. 000	2.1 mm Fig. 00	2.6 mm Fig. 0	3.2 mm Fig. 1	3.7 mm Fig. 2	4.1 mm Fig. 3	4.4 mm Fig. 4
	blunt							
		<b>495.01</b>	<b>495.02</b>	<b>495.03</b>	<b>495.04</b>	<b>495.05</b>	<b>495.06</b>	<b>495.07</b>
		1.8 mm Fig. 000	2.1 mm Fig. 00	2.6 mm Fig. 0	3.2 mm Fig. 1	3.7 mm Fig. 2	4.1 mm Fig. 3	4.4 mm Fig. 4
	sharp							
		<b>496.01</b>	<b>496.02</b>	<b>496.03</b>	<b>496.04</b>	<b>496.05</b>	<b>496.06</b>	<b>496.07</b>
		1.8 mm Fig. 000	2.1 mm Fig. 00	2.6 mm Fig. 0	3.2 mm Fig. 1	3.7 mm Fig. 2	4.1 mm Fig. 3	4.4 mm Fig. 4
	blunt							
		<b>497.01</b>	<b>497.02</b>	<b>497.03</b>	<b>497.04</b>	<b>497.05</b>	<b>497.06</b>	<b>497.07</b>
		1.8 mm Fig. 000	2.1 mm Fig. 00	2.6 mm Fig. 0	3.2 mm Fig. 1	3.7 mm Fig. 2	4.1 mm Fig. 3	4.4 mm Fig. 4

						
<b>LANGENBECK</b> <b>491.13</b> 13 cm/5"	<b>SHAPLEIGH</b> 15 cm/6"	<b>JANSEN</b> <b>532.15</b> 16 cm/6¼"	<b>GROSS</b> <b>543.12</b> 16 cm/5"	<b>WEBER-LOCH</b> <b>551.01</b> 17 cm/6"	<b>BILLEAU</b> 16.5/6½"	<b>MOLDENHAUER</b> <b>561.16</b> 16 cm/6¼"
	 <b>493.01</b> Fig. 1				 <b>554.01</b> Fig. 1	
	 <b>493.02</b> Fig. 2				 <b>554.02</b> Fig. 2	
					 <b>554.03</b> Fig. 3	

**Otology (Ear Hooklet, Tympanum Needles)**



**Otology (Ear Syringes)**

Valve Attachment



**794.02**

Suction Nozzle



**794.04**

Protecting Disc



**794.05**

Metal Olive



**794.06**

Conical tip



**794.07**

Button ended tip



**794.08**

Threaded tip



**794.09**



**794.03**

Flexible tube



**794.00**

complete, self filling  
in plastic pouch

Irrigation adapter



**795.91**

Irrigation adapter



**795.92**



**795.00**

50 ml

complete with protection  
disc & 2 tips

**795.04**

100 ml

complete with protection  
disc & 2 tips

**EO795.90**

Ear Syringe