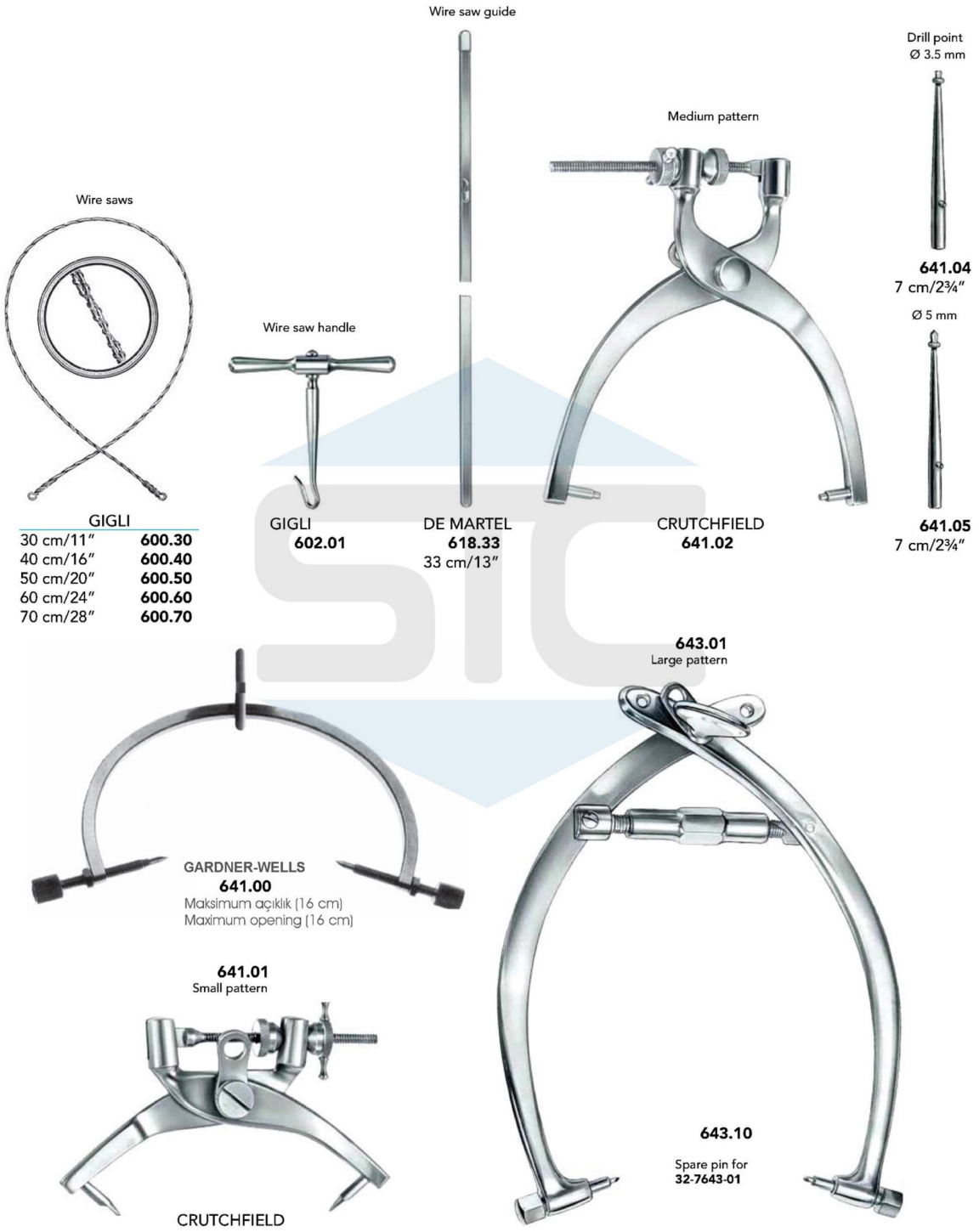
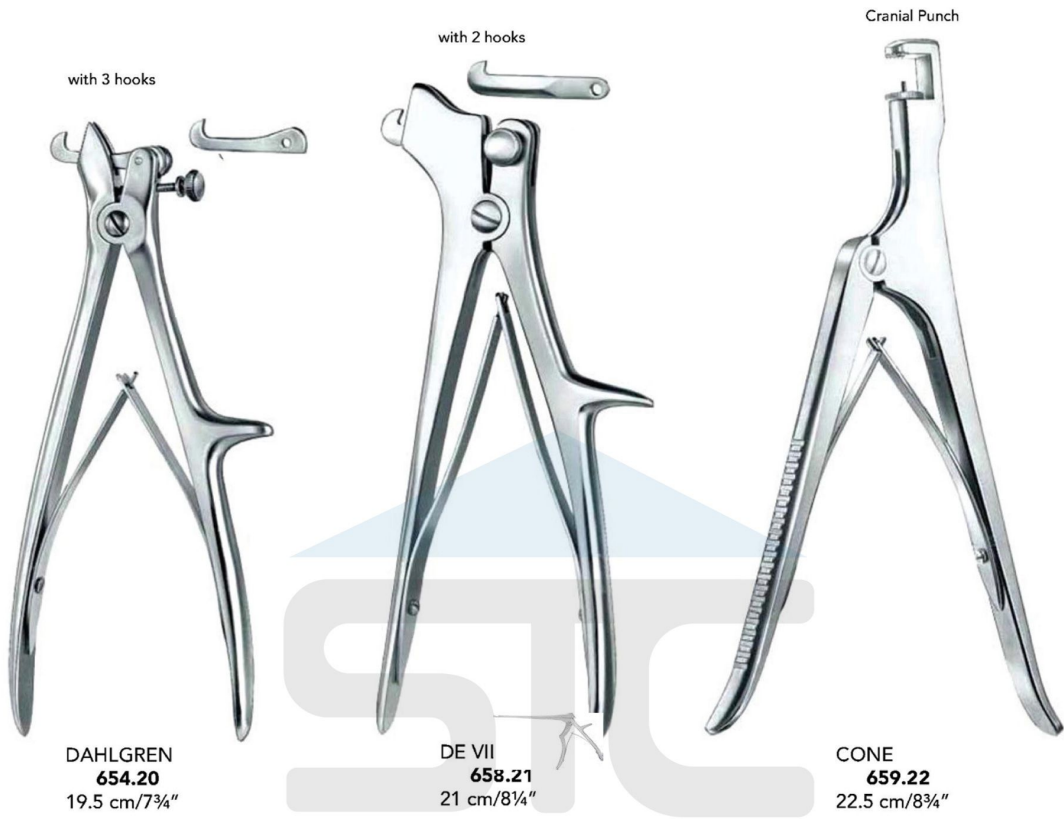


Neurosurgery (Skull Traction Tongs)



Neurosurgery (Carnial Rongeurs)



Clip Applying Forceps



Neurosurgery (Dissectors)

Galea hook



YASARGIL
30 cm/11" **678.01**
41 cm/16¼" **678.02**



TOENNIS
680.25
24 cm/9½"



OLIVECRONA
681.24
24 cm/9½"



OLIVECRONA
682.18
18 cm/7"



OLIVECRONA
683.24
24 cm/9½"



OLIVECRONA
684.19
20 cm/8"



SACHS
685.21
20.5 cm/8¼"



MILLIGAN
686.21
22 cm/8¾"

Fig. 1



PENFIELD
690.01
17.5 cm/7"

Fig. 2



PENFIELD
690.02
19.5 cm/7¾"

Fig. 3



PENFIELD
690.03
19.5 cm/7¾"

Fig. 4



PENFIELD
690.04
20.5 cm/8"

Fig. 5



PENFIELD
690.05
18.5 cm/7¼"



688.22
22 cm/8¾"





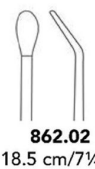

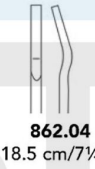
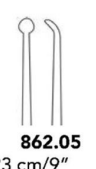


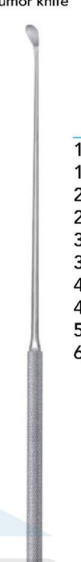







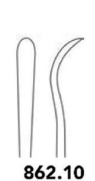
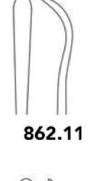
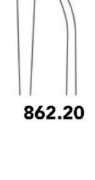


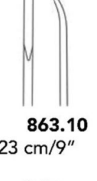
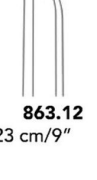

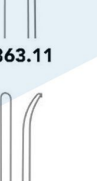




Neurosurgery (Dissectors & Hooklets)

Model	Dimensions (cm / inches)
DAVIS 687.21	21.5 cm / 8½"
DAVIS 691.24	24.5 cm / 9¾"
CUSHING Fig. 1 742.19	19 cm / 7½"
CUSHING Fig. 2 742.28	28 cm / 11"
FRAZIER 530.38	Dissektor/Dissector 15 cm
ADSON 823.20	20 cm / 8"
ADSON 824.20	20 cm / 8"
GRAHAM 825.16	16.5 cm / 6½"
SACHS 827.18	17 cm / 6¾"
GRONINGEN 738.26	26.5 cm / 10½"
GRONINGEN 740.26	26.5 cm / 10½"
SMITHWICK 748.17	16.5 cm / 6½"
SMITHWICK 748.21	21 cm / 8¼"
FRAZIER 830.19	19 cm / 7½"
FRAZIER 831.19	19 cm / 7½"
FRAZIER 835.13	13 cm / 5"
FRAZIER 835.18	18 cm / 7"
YASARGIL 853.01	20 cm / 8"
YASARGIL 853.02	20 cm / 8"

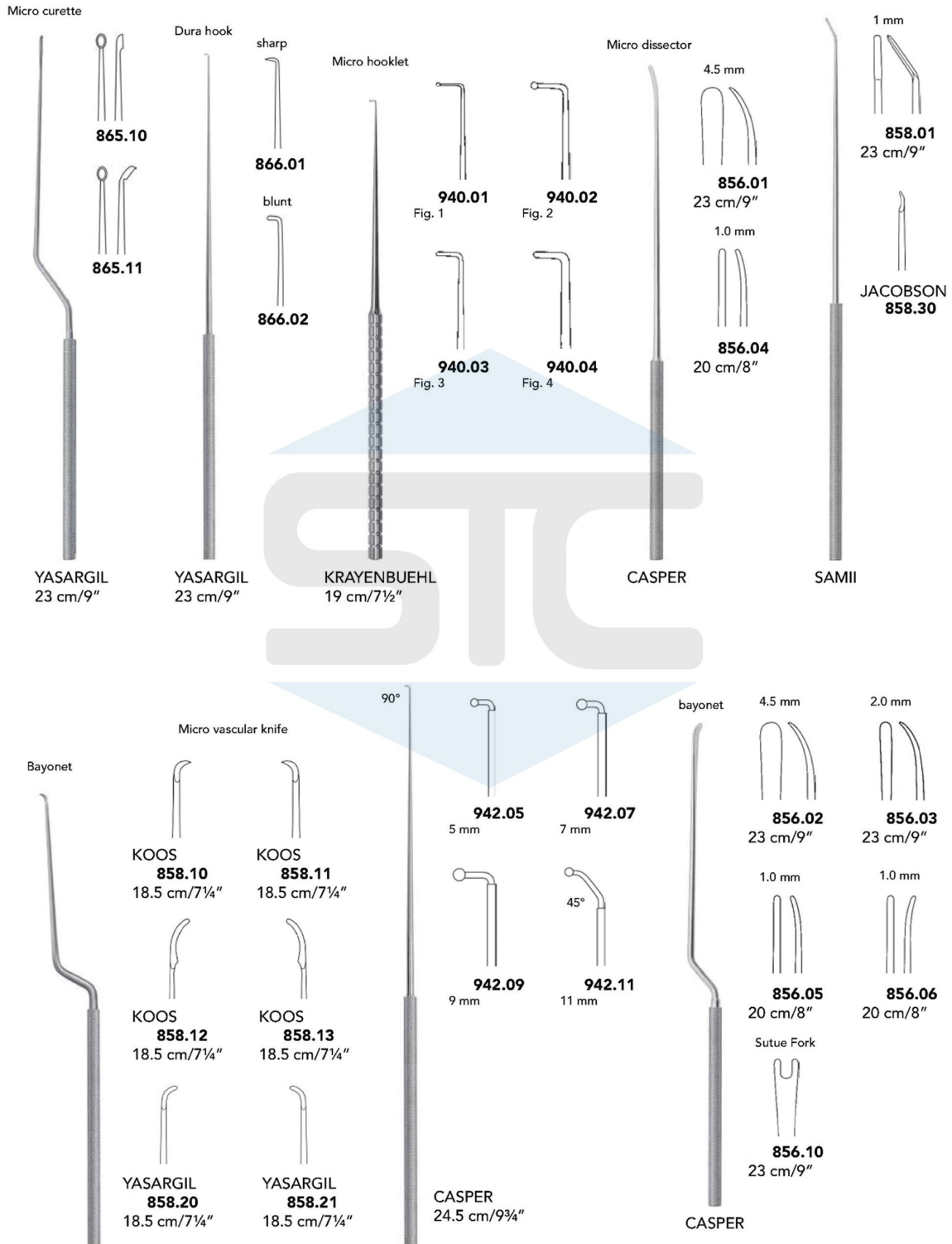
Neurosurgery (Dissectors & Hooklets)



Neurosurgery (Micro & Neuro Instruments)

<p>Tissue claw</p>  <p>853.03 18.5 cm/7"</p>	<p>Suture guide</p>  <p>90° YASARGIL 18.5 cm/7¼"</p>	<p>Micro raspatory</p>  <p>860.01 Fig. 1 860.02 Fig. 2 860.03 Fig. 3 860.04 Fig. 4 YASARGIL 18.5 cm/7¼"</p>	 <p>862.01 18.5 cm/7¼"</p>  <p>862.02 18.5 cm/7¼"</p>  <p>862.03 18.5 cm/7¼"</p>  <p>862.04 18.5 cm/7¼"</p>	 <p>862.05 23 cm/9"</p>  <p>862.06 23 cm/9"</p>  <p>862.07 23 cm/9"</p>	<p>Tumor knife</p>  <p>SAMII 23 cm/9"</p>	<table border="0"> <tr> <td></td> <td></td> <td></td> </tr> <tr> <td>1.0 mm</td> <td>854.01</td> <td></td> </tr> <tr> <td>1.5 mm</td> <td>854.02</td> <td>854.09</td> </tr> <tr> <td>2.0 mm</td> <td>854.03</td> <td></td> </tr> <tr> <td>2.5 mm</td> <td>854.04</td> <td></td> </tr> <tr> <td>3.0 mm</td> <td>854.05</td> <td>854.10</td> </tr> <tr> <td>3.5 mm</td> <td>854.06</td> <td></td> </tr> <tr> <td>4.0 mm</td> <td>854.07</td> <td></td> </tr> <tr> <td>4.5 mm</td> <td></td> <td>854.11</td> </tr> <tr> <td>5.0 mm</td> <td>854.08</td> <td></td> </tr> <tr> <td>6.0 mm</td> <td></td> <td>854.12</td> </tr> </table>				1.0 mm	854.01		1.5 mm	854.02	854.09	2.0 mm	854.03		2.5 mm	854.04		3.0 mm	854.05	854.10	3.5 mm	854.06		4.0 mm	854.07		4.5 mm		854.11	5.0 mm	854.08		6.0 mm		854.12
																																							
1.0 mm	854.01																																						
1.5 mm	854.02	854.09																																					
2.0 mm	854.03																																						
2.5 mm	854.04																																						
3.0 mm	854.05	854.10																																					
3.5 mm	854.06																																						
4.0 mm	854.07																																						
4.5 mm		854.11																																					
5.0 mm	854.08																																						
6.0 mm		854.12																																					
<p>Micro raspatory bayonet</p>  <p>YASARGIL 18.5 cm/7¼"</p>	 <p>862.10</p>  <p>862.11</p>  <p>862.20</p>	<p>Micro dissector straight</p>  <p>YASARGIL 23 cm/9"</p>	 <p>863.01 18.5 cm/7¼"</p>  <p>863.10 23 cm/9"</p>  <p>863.12 23 cm/9"</p>	<p>Micro dissector bayonet</p>  <p>YASARGIL 23 cm/9"</p>	 <p>863.11</p>  <p>863.13</p>	<p>Buttomed probe</p>  <p>JACOBSON 864.02 18.5 cm/7¼"</p>	<p>Probe double</p>  <p>JACOBSON 864.01 18.5 cm/7¼"</p>	<p>Micro curette</p>  <p>YASARGIL 865.01 18.5 cm/7¼"</p>																															

Neurosurgery (Micro & Neuro Instruments)



Neurosurgery (Lamina Spreaders)



INGE
977.27
25.5 cm/10"



CLOWARD
973.15

Tam açıklık/Total opening 4.5 cm
13.5 cm



CLOWARD
973.16
16 cm/6¼"

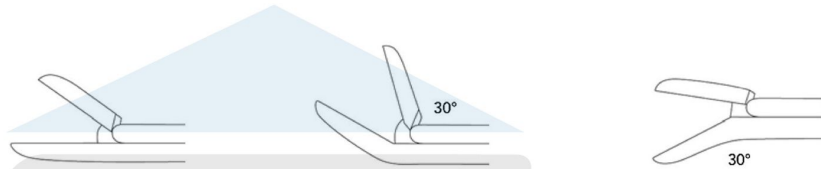
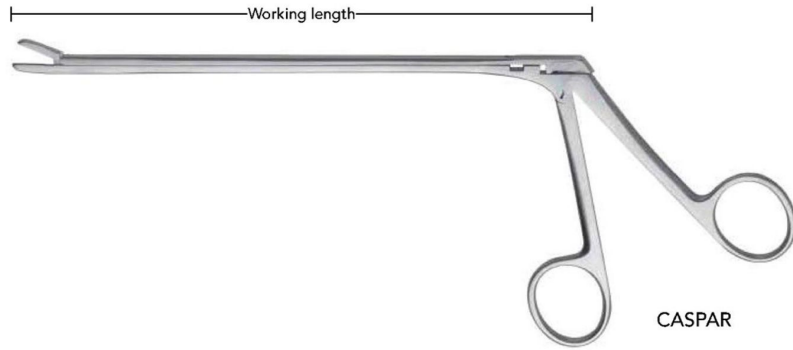


INGE
975.17
16 cm/6¼"

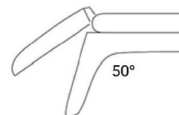
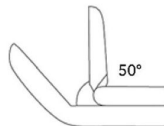


CLOWARD
974.17
16 cm/6¼"

Neurosurgery (Rongeurs)



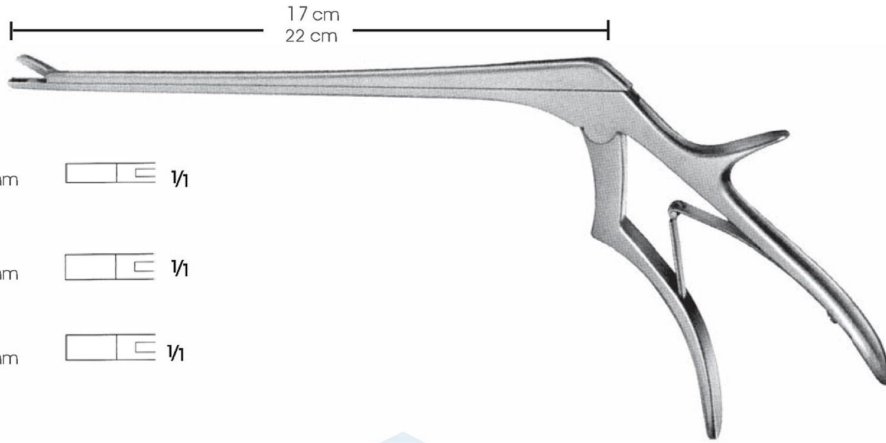
Working length	2 mm	3 mm	4 mm	5 mm
15 cm/6"	981.05	982.06	981.07	981.08
18 cm/7"	981.09	982.10	981.11	981.12
20 cm/8"	981.13	982.14	981.15	981.16
30 cm/11¾"	981.17	982.18	981.19	981.20
	982.05	982.09	982.07	982.08
	982.09	982.10	982.11	982.12
	982.13	982.14	982.15	982.16
	982.17	982.18	982.19	982.20
	981.25	981.26	981.27	981.28
	981.29	981.30	981.31	981.32
	981.33	981.34	981.35	981.36
	981.37	981.38	981.39	981.40
	982.25	982.26	982.27	982.28
	982.29	982.30	982.31	982.32
	982.33	982.34	982.35	982.36
	982.37	982.38	982.39	982.40
	981.45	981.46	981.47	981.48
	981.49	981.50	981.51	981.52
	981.53	981.54	981.55	981.56
	981.57	981.58	981.59	981.60
	982.45	982.46	982.47	982.48
	982.49	982.50	982.51	982.52
	982.53	982.54	982.55	982.56
	982.57	982.58	982.59	982.60



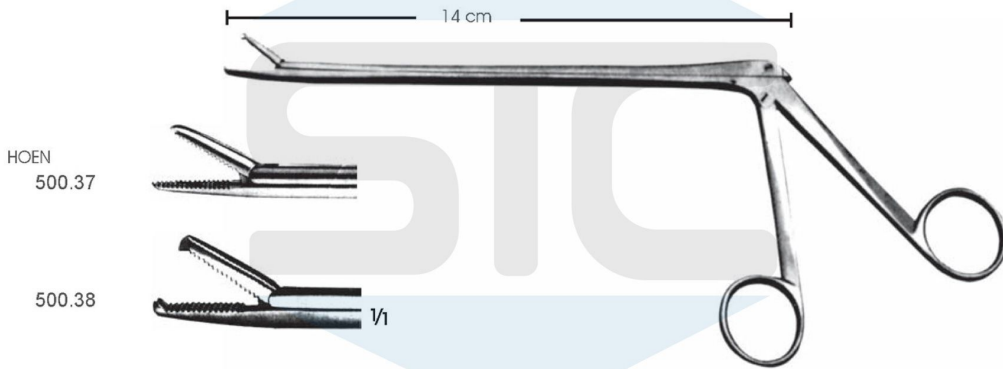
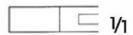
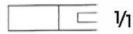
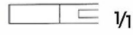
4 mm	Working length		
	18 cm/7"	980.80	984.80
	30 cm/11¾"	981.81	985.81

Working length		
18 cm/7"	982.80	986.80
30 cm/11¾"	983.81	987.81

Neurosurgery (Rongeurs)



- CASPAR
500.34 3 mm
18 cm
- CASPAR
500.35 4 mm
18 cm
- CASPAR
500.36 4 mm
20.5 cm

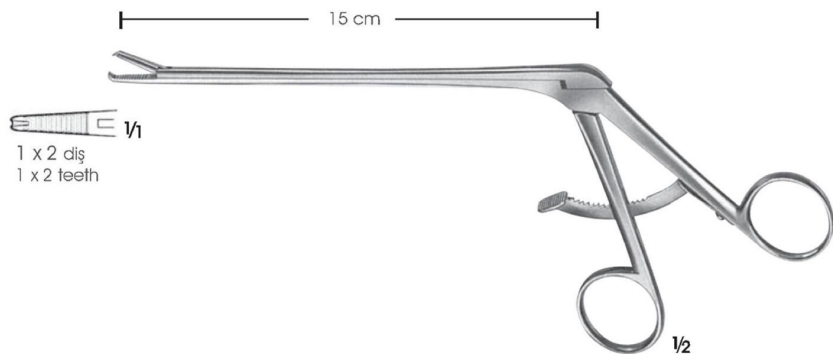


HOEN
500.37

500.38



1/1



1 x 2 diş
1 x 2 teeth

1/2

KRAMER
500.39 15 cm
Bağ tutucu grasping pens, kilittli
With catch grasping forceps for
ligamentum flavum

Neurosurgery (Rongeurs)

Mil uzunluğu Length of shaft 14 cm	Mil uzunluğu Length of shaft 16 cm	Mil uzunluğu Length of shaft 18.5 cm	Çene ölçüleri Size of jaws		
500.04	500.09	500.14	2 x 12 mm		1/1
500.05	500.10	500.15	3 x 12 mm		1/1
500.06	500.11	500.16	4 x 14 mm		1/1
500.07	500.12	500.17	5 x 14 mm		1/1
500.08	500.13	500.18	6 x 16 mm		1/1

Mil uzunluğu
Length of shaft

CASPAR
500.04-NU500.18

1/2

Mil uzunluğu Length of shaft 14 cm	Mil uzunluğu Length of shaft 16 cm	Mil uzunluğu Length of shaft 18.5 cm	Çene Ölçüleri Size of jaws		
500.19	500.22	500.25	3 x 12 mm		1/1
500.20	500.23	500.26	4 x 14 mm		1/1
500.21	500.24	500.27	5 x 14 mm		1/1

Mil uzunluğu
Length of shaft

150°

CASPAR
500.19-NU500.27

1/2

Mil uzunluğu Length of shaft 14 cm	Mil uzunluğu Length of shaft 16 cm	Mil uzunluğu Length of shaft 18.5 cm	Çene Ölçüleri Size of jaws		
500.28	500.30	500.32	3 x 12 mm		1/1
500.29	500.31	500.33	4 x 14 mm		1/1

Mil uzunluğu
Length of shaft

Alt çene hareketli
Lower part of jaw movable

150°

CASPAR
500.28-NU500.33

1/2

Neurosurgery (Rongeurs)

LOVE-GRUENWALD

500.01 2 x 10 mm



500.02 3 x 10 mm



SPURLING

500.03 4 x 10 mm

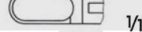


CUSHING

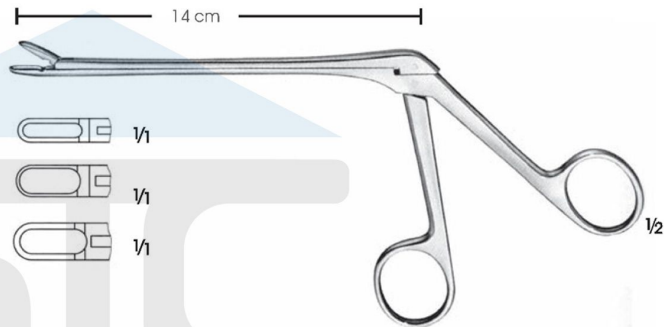
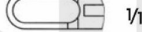
530.34 4 mm



530.35 5 mm



530.36 6 mm



CUSHING

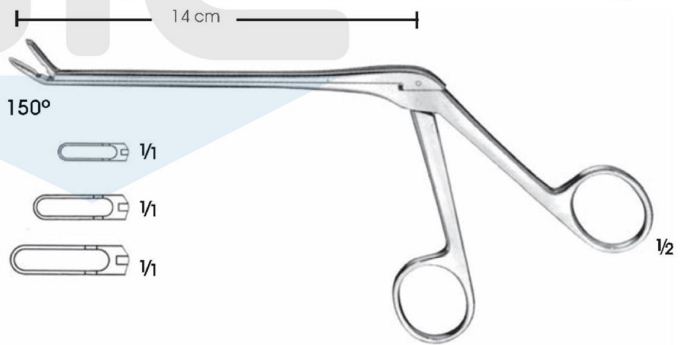
530.41 3 mm



530.42 4 mm



530.43 5 mm

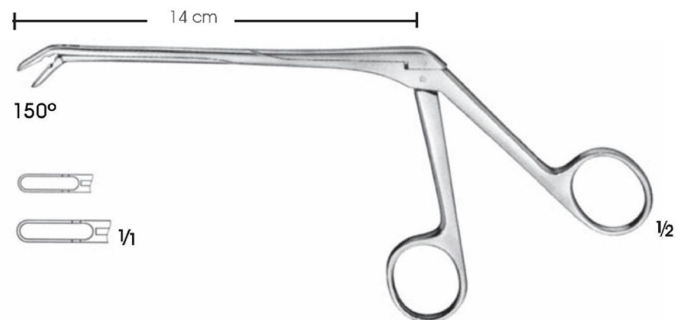


CUSHING

530.44 3 mm

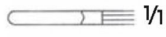


530.45 4 mm

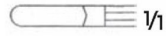


Neurosurgery (Rongeurs)

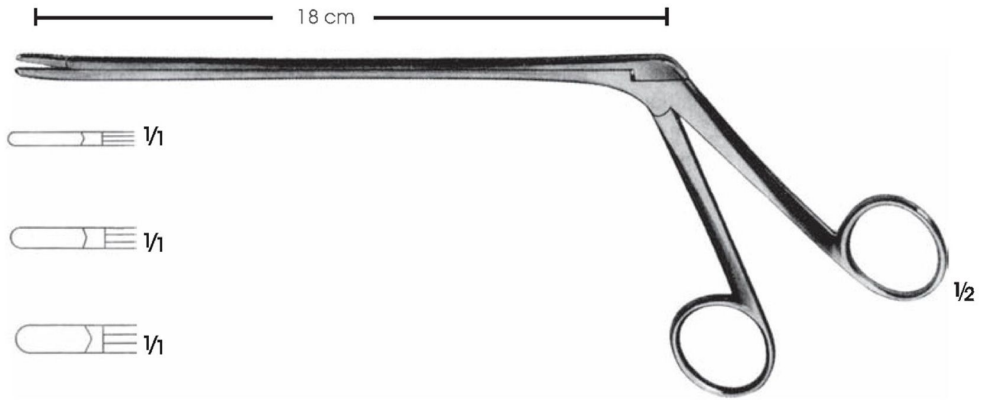
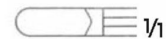
CUSHING
530.46 2 x 10 mm



LOVE-GRUENWALD
530.47 3 x 10 mm



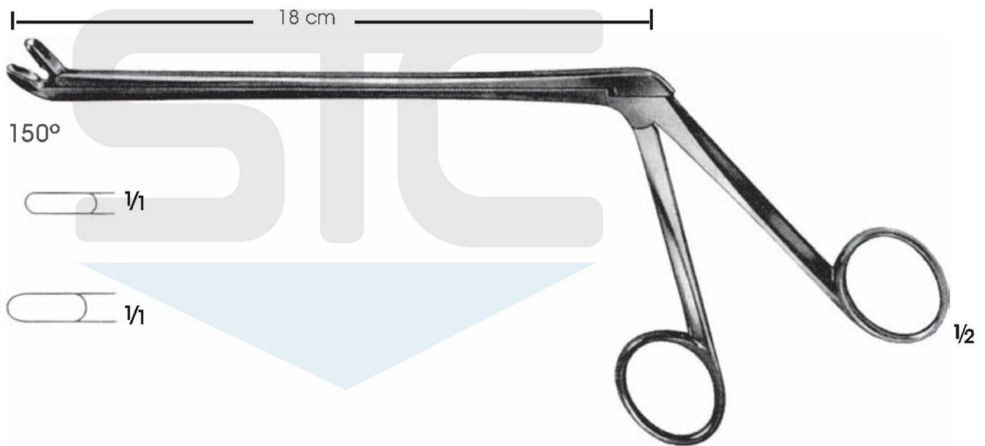
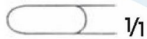
SPURLING
530.48 4 x 10 mm



LOVE-GRUENWALD
530.49 3 x 10 mm

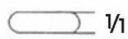


SPURLING
530.50 4 x 10 mm

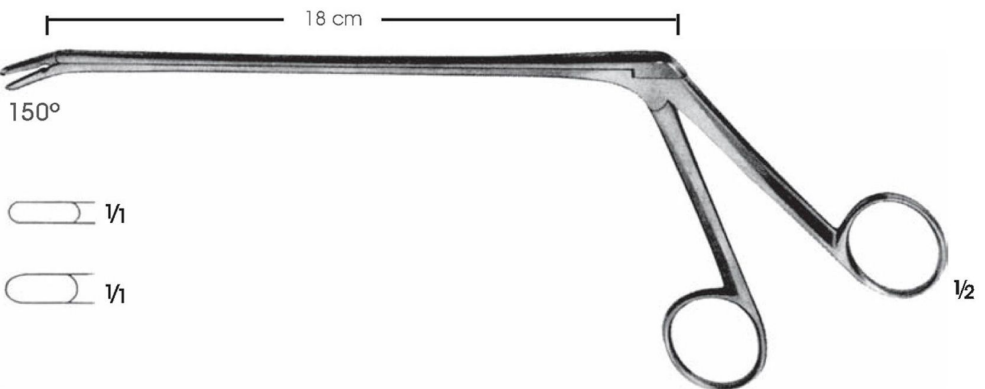


Üst çene hareketli
Upper part of jaw movable

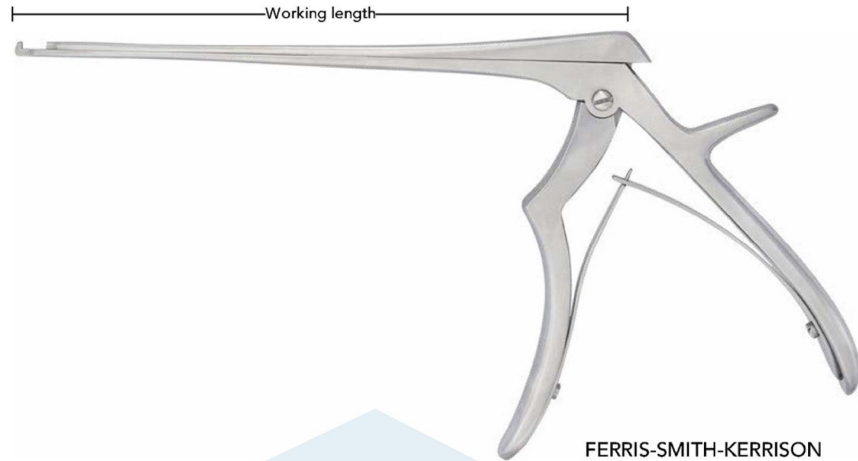
LOVE-GRUENWALD
530.51 3 x 10 mm



SPURLING
530.52 4 x 10 mm

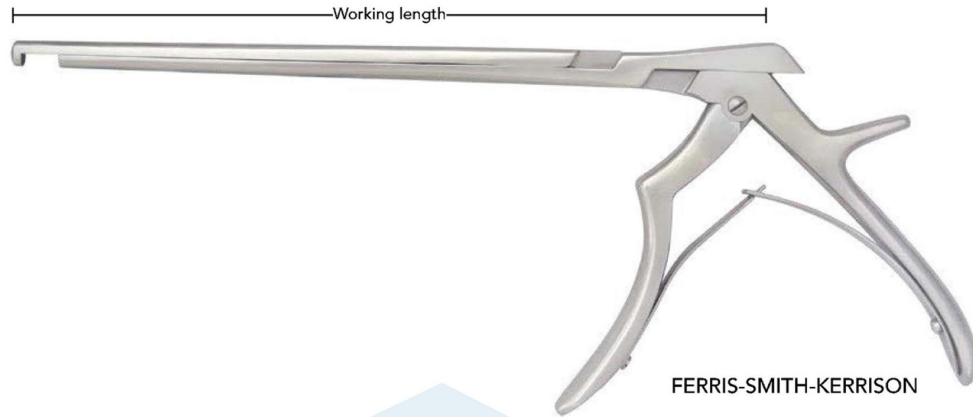


Neurosurgery (Laminectomy Punches)



	Working length	Cutting upwards 40°			Cutting upwards 90°		
		Standard 40°	Detachable / TC 40°	Black Coated 40°	Standard 90°	Detachable / TC 90°	Black Coated 90°
1 mm	18 cm/7"	978.01	978.01DT	478.01	978.02	978.02DT	478.02
	20 cm/7¾"	978.03	978.03DT	478.03	978.04	978.04DT	478.04
	23 cm/9"	978.05	978.05DT	478.05	978.06	978.06DT	478.06
	28 cm/11"	978.07	978.07DT	478.07	978.08	978.08DT	478.08
2 mm	18 cm/7"	978.09	978.09DT	478.09	978.10	978.10DT	478.10
	20 cm/7¾"	978.11	978.11DT	478.11	978.12	978.12DT	478.12
	23 cm/9"	978.13	978.13DT	478.13	978.14	978.14DT	478.14
	28 cm/11"	978.15	978.15DT	478.15	978.16	978.16DT	478.16
3 mm	18 cm/7"	978.17	978.17DT	478.17	978.18	978.18DT	478.18
	20 cm/7¾"	978.19	978.19DT	478.19	978.20	978.20DT	478.20
	23 cm/9"	978.21	978.21DT	478.21	978.22	978.22DT	478.22
	28 cm/11"	978.23	978.23DT	478.23	978.24	978.24DT	478.24
4 mm	18 cm/7"	978.25	978.25DT	478.25	978.26	978.26DT	978.26
	20 cm/7¾"	978.27	978.27DT	478.27	978.28	978.28DT	978.28
	23 cm/9"	978.29	978.29DT	478.29	978.30	978.30DT	978.30
	28 cm/11"	978.31	978.31DT	478.31	978.32	978.32DT	978.32
5 mm	18 cm/7"	978.33	978.33DT	478.33	978.34	978.34DT	478.34
	20 cm/7¾"	978.35	978.35DT	478.35	978.36	978.36DT	478.36
	23 cm/9"	978.37	978.37DT	478.37	978.38	978.38DT	478.38
	28 cm/11"	978.39	978.39DT	478.39	978.40	978.40DT	478.40
6 mm	18 cm/7"	978.41	978.41DT	478.41	978.42	978.42DT	478.42
	20 cm/7¾"	978.43	978.43DT	478.43	978.44	978.44DT	478.44
	23 cm/9"	978.45	978.45DT	478.45	978.46	978.46DT	478.46
	28 cm/11"	978.47	978.47DT	478.47	978.48	978.48DT	478.48

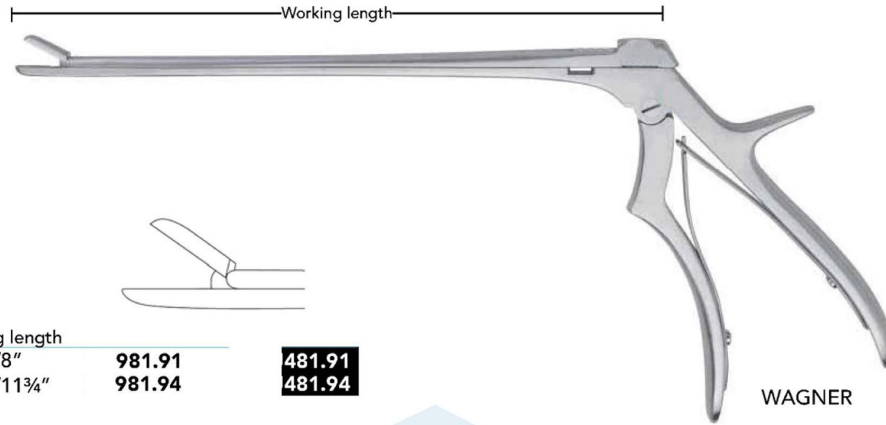
Neurosurgery (Laminectomy Punches)



FERRIS-SMITH-KERRISON

	Working length	Cutting downwards 40°		Cutting downwards 90°	
		40°	40°	90°	90°
1 mm □	18 cm/7"	978.50	478.50	978.51	478.51
	20 cm/7¾"	978.52	478.52	978.53	478.53
	23 cm/9"	978.54	478.54	978.55	478.55
2 mm □	18 cm/7"	978.56	478.56	978.57	478.57
	20 cm/7¾"	978.58	478.58	978.59	478.59
	23 cm/9"	978.60	478.60	978.61	478.61
3 mm □	18 cm/7"	978.62	478.62	978.63	478.63
	20 cm/7¾"	978.64	478.64	978.65	478.65
	23 cm/9"	978.66	478.66	978.67	478.67
4 mm □	18 cm/7"	978.68	478.68	978.69	478.69
	20 cm/7¾"	978.70	478.70	978.71	478.71
	23 cm/9"	978.72	478.72	978.73	478.73
5 mm □	18 cm/7"	978.74	478.64	978.75	478.75
	20 cm/7¾"	978.76	478.76	978.77	478.77
	23 cm/9"	978.78	478.78	978.79	478.79
6 mm □	18 cm/7"	978.80	478.80	978.81	478.81
	20 cm/7¾"	978.82	478.82	978.83	478.83
	23 cm/9"	978.84	478.84	978.85	478.85

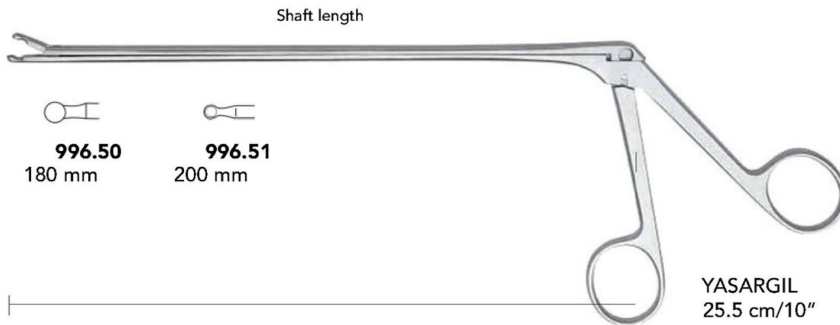
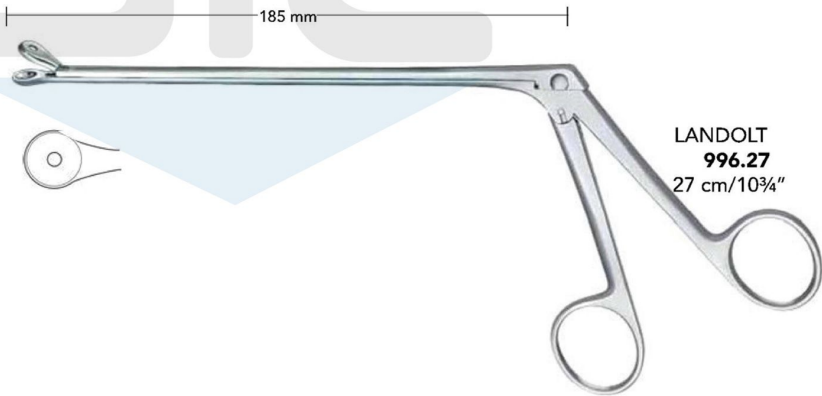
Neurosurgery (Rongeurs)



3 mm Working length
 20 cm/8" **981.91** **481.91**
 30 cm/11¾" **981.94** **481.94**

4 mm Working length
 20 cm/8" **981.92** **481.92**
 30 cm/11¾" **981.95** **481.95**

5 mm Working length
 15 cm/6" **981.93** **481.93** **981.84** **481.84** **981.86** **481.86**
 18 cm/7" **981.96** **481.96** **981.85** **481.85** **981.87** **481.87**



996.50 **996.51**
 180 mm 200 mm

Neurosurgery (Micro Forceps)

Jaw spoon-shaped

Ø 3 mm Ø 4 mm Ø 5 mm Ø 3 mm Ø 4 mm Ø 5 mm

YASARGIL-SAMII

23 cm/9"	852.01	852.02	852.03	853.01	853.02	853.03
----------	---------------	---------------	---------------	---------------	---------------	---------------

Jaw spoon-shaped **Jaw flat, serrated** **Curette jaw, toothed**

Ø 3 mm Ø 5 mm Ø 7 mm Ø 3 mm Ø 5 mm Ø 3 mm Ø 5 mm

YASARGIL **YASARGIL**

22 cm/8¾"	863.22	865.22	867.22	20 cm/8"	871.20	872.20
24 cm/9½"	863.24	865.24	867.24	22 cm/8¾"	871.22	872.22
					873.22	875.22

Ø 0.6 mm Ø 0.9 mm 1:2

YASARGIL

16 cm/6¼"	856.16	859.16
18 cm/7"	856.18	859.18
20 cm/8"	856.20	859.20
22 cm/8¾"	856.22	859.22
24 cm/9½"	856.24	859.24

860.18

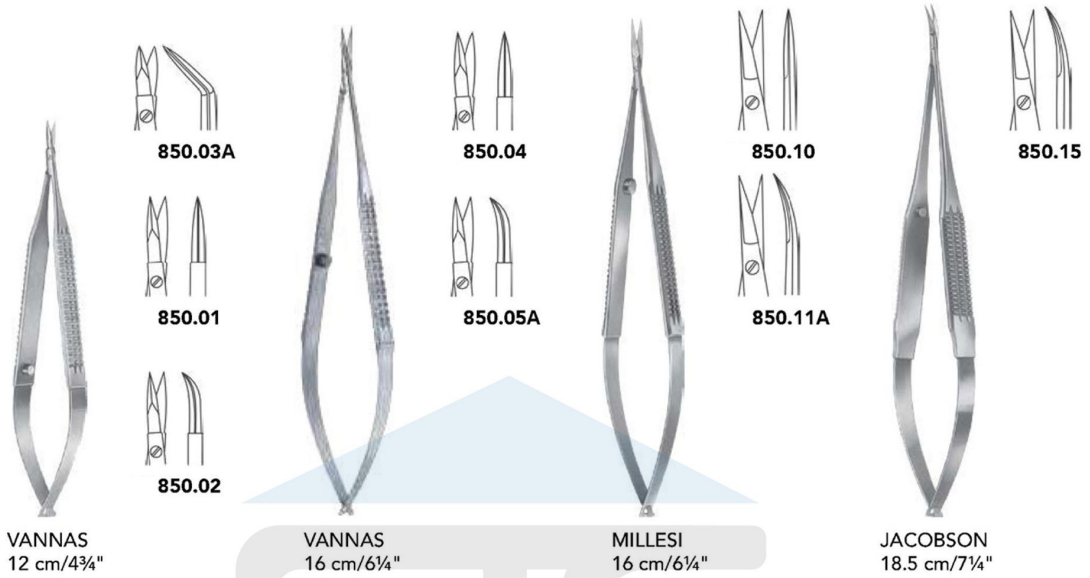
Jaw flat, serrated

Ø 5 mm Ø 5 mm

HUNT
20 cm/8"

890.20	891.20
---------------	---------------

Neurosurgery (Micro Scissors)



VANNAS
12 cm/4 3/4"

VANNAS
16 cm/6 1/4"

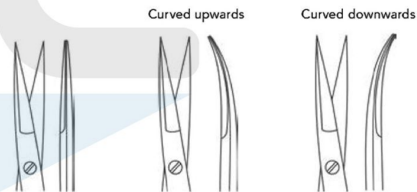
MILLESI
16 cm/6 1/4"

JACOBSON
18.5 cm/7 1/4"



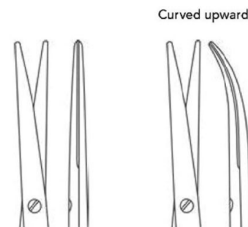
YASARGIL

Adventitia Blades



16 cm/6 1/4"	850.16B	851.16	
20 cm/8"	850.20	851.20	853.20A
22.5 cm/9"	850.22B	851.22	
24.5 cm/9 3/4"		851.24	

Dissection Blades



20 cm/8"	854.20	855.20
22.5 cm/9"	854.22A	855.22

Neurosurgery (Micro Scissors Ring Type, Micro Needle Holders, Perforators)

